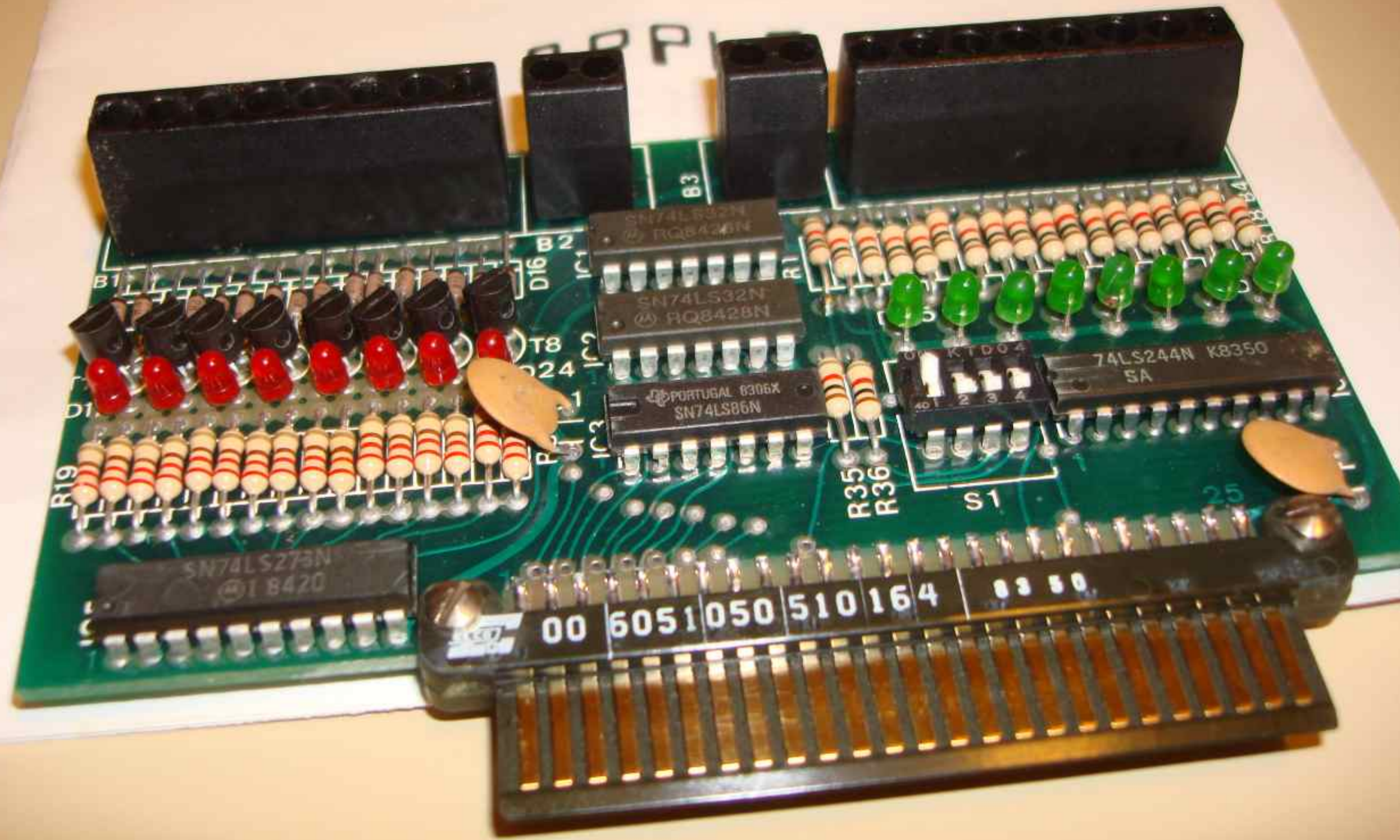


8 SORTIES

POP



SN74LS32N  
RQ8428N

SN74LS32N  
RQ8428N

PORTUGAL 6306X  
SN74LS86N

74LS244N K8350  
5A

SN74LS273N  
T8420

00 605 1050 510 164 8350

B2

T8

IC3

R35  
R36

S1

25

B3

D16

IC2

IC1

D1

R19

B1

T8

IC3

IC2

IC1

B4

D16

IC2

IC1

IC2

IC1

IC2

IC1

B4

D16

IC2

IC1

IC2

IC1

IC2

IC1

IC2

IC1

IC2

IC1

B4

D16

IC2

IC1

IC2

IC1

IC2

IC1

IC2

IC1

IC2

IC1

B4

D16

IC2

IC1

IC2

IC1

IC2

IC1

IC2

IC1

IC2

IC1

B4

D16

IC2

IC1

IC2

IC1

IC2

IC1

IC2

IC1

IC2

IC1

B4

D16

IC2

IC1

IC2

IC1

IC2

IC1

IC2

IC1

IC2

IC1

B4

D16

IC2

IC1

IC2

IC1

IC2

IC1

IC2

IC1

IC2

IC1

B4

D16

IC2

IC1

IC2

IC1

IC2

IC1

IC2

IC1

IC2

IC1

B4

D16

IC2

IC1

IC2

IC1

IC2

IC1

IC2

IC1

IC2

IC1

B4

D16

IC2

IC1

IC2

IC1

IC2

IC1

IC2

IC1

IC2

IC1

B4

D16

IC2

IC1

IC2

IC1

IC2

IC1

IC2

IC1

IC2

IC1

B4

D16

IC2

IC1

IC2

IC1

IC2

IC1

IC2

IC1

IC2

IC1

B4

D16

IC2

IC1

IC2

IC1

IC2

IC1

IC2

IC1

IC2

IC1

B4

D16

IC2

IC1

IC2

IC1

IC2

IC1

IC2

IC1

IC2

IC1

B4

D16

IC2

IC1

IC2

IC1

IC2

IC1

IC2

IC1

IC2

IC1

B4

D16

IC2

IC1

IC2

IC1

IC2

IC1

IC2

IC1

IC2

IC1

B4

D16

IC2

IC1

IC2

IC1

IC2

IC1

IC2

IC1

IC2

IC1

B4

D16

IC2

IC1

IC2

IC1

IC2

IC1

IC2

IC1

IC2

IC1

B4

D16

IC2

IC1

IC2

IC1

IC2

IC1

IC2

IC1

IC2

IC1

B4

D16

IC2

IC1

IC2

IC1

IC2

IC1

IC2

IC1

IC2

IC1

B4

D16

IC2

IC1

IC2

IC1

IC2

IC1

IC2

IC1

IC2

IC1

B4

D16

IC2

IC1

IC2

IC1

IC2

IC1

IC2

IC1

IC2

IC1

B4

D16

IC2

IC1

IC2

IC1

IC2

IC1

IC2

IC1

IC2

IC1

B4

D16

IC2

IC1

IC2

IC1

IC2

IC1

IC2

IC1

IC2

IC1

B4

D16

IC2

IC1

IC2

IC1

IC2

IC1

IC2

IC1

IC2

IC1

B4

D16

IC2

IC1

IC2

IC1

IC2

IC1

IC2

IC1

IC2

IC1

B4

D16

IC2

IC1

IC2

IC1

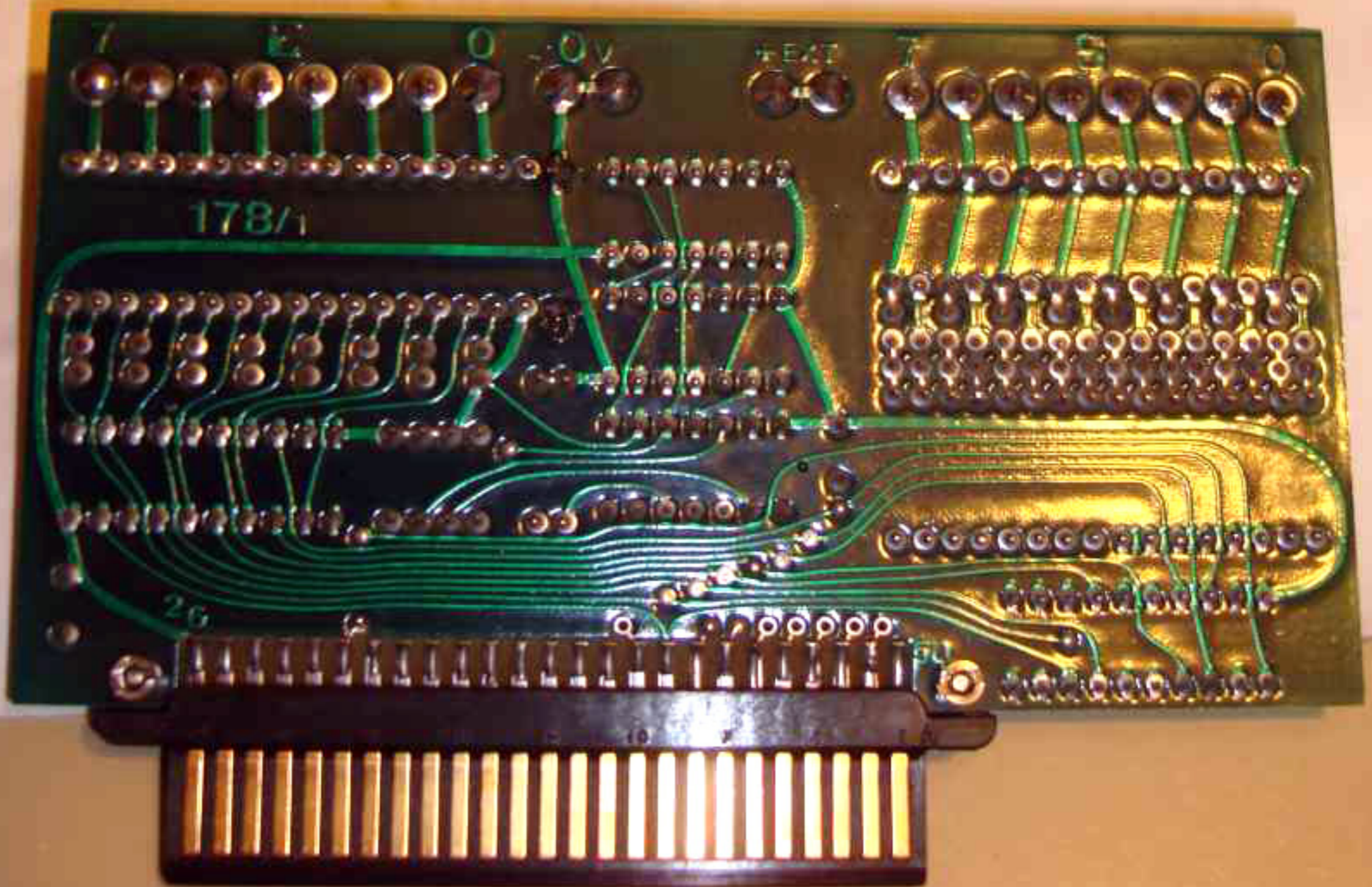
</



8 ENTREES

8 SORTIES

APPLE





8 ENTREES  
8 SORTIES  
APPLE

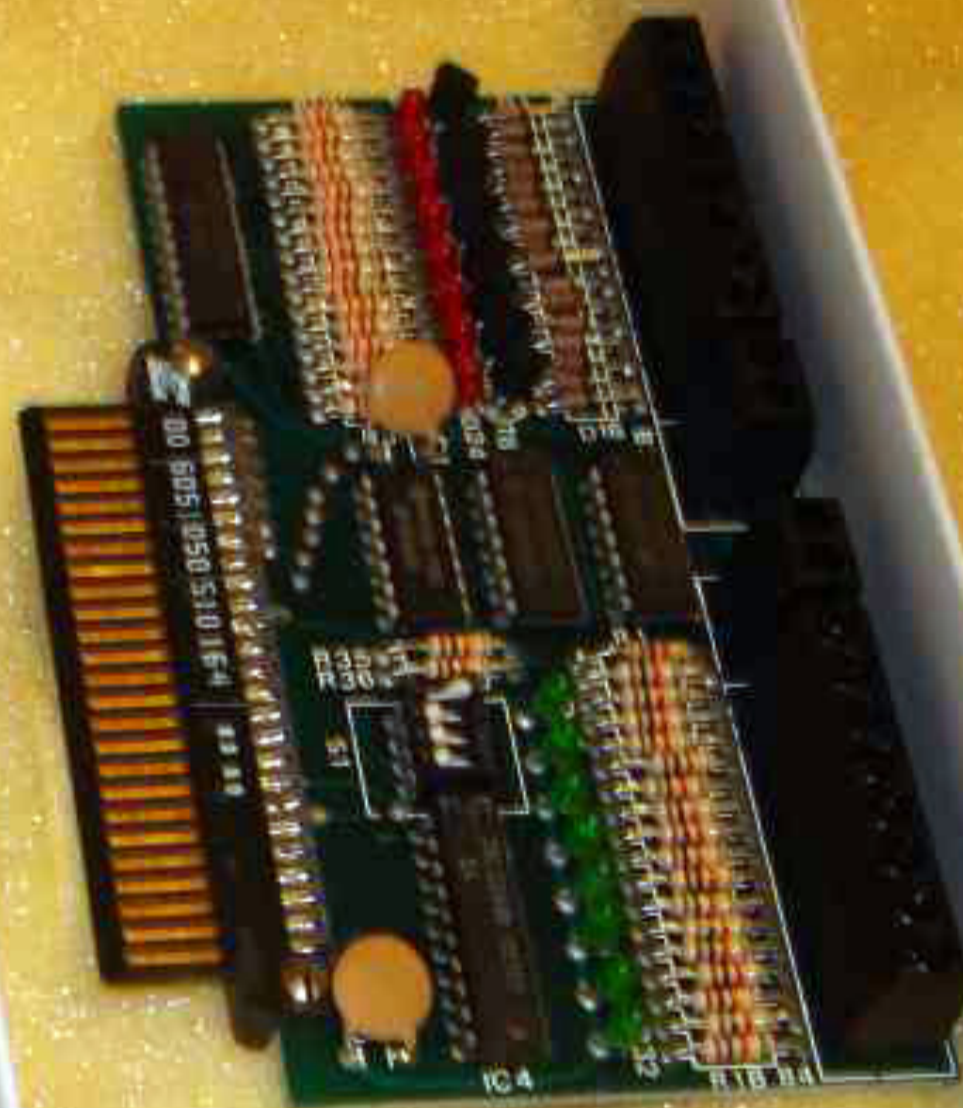
8 ENTREES

8 SORTIES

APPLE

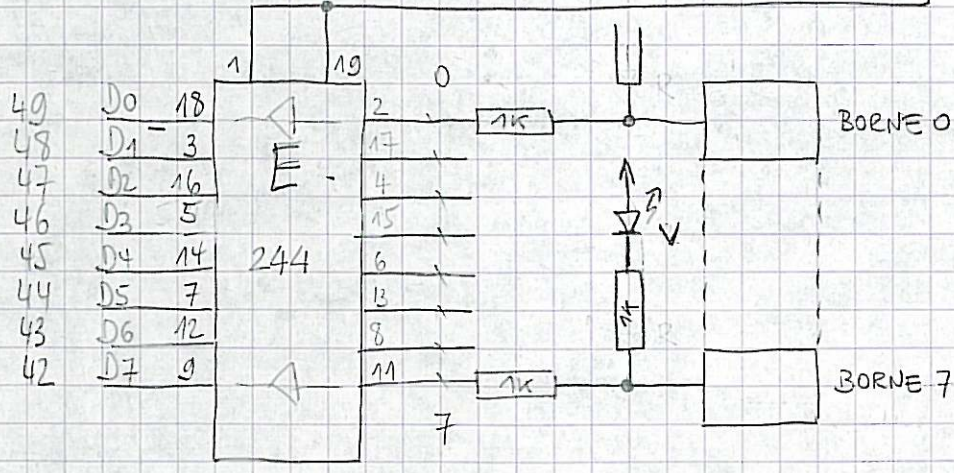
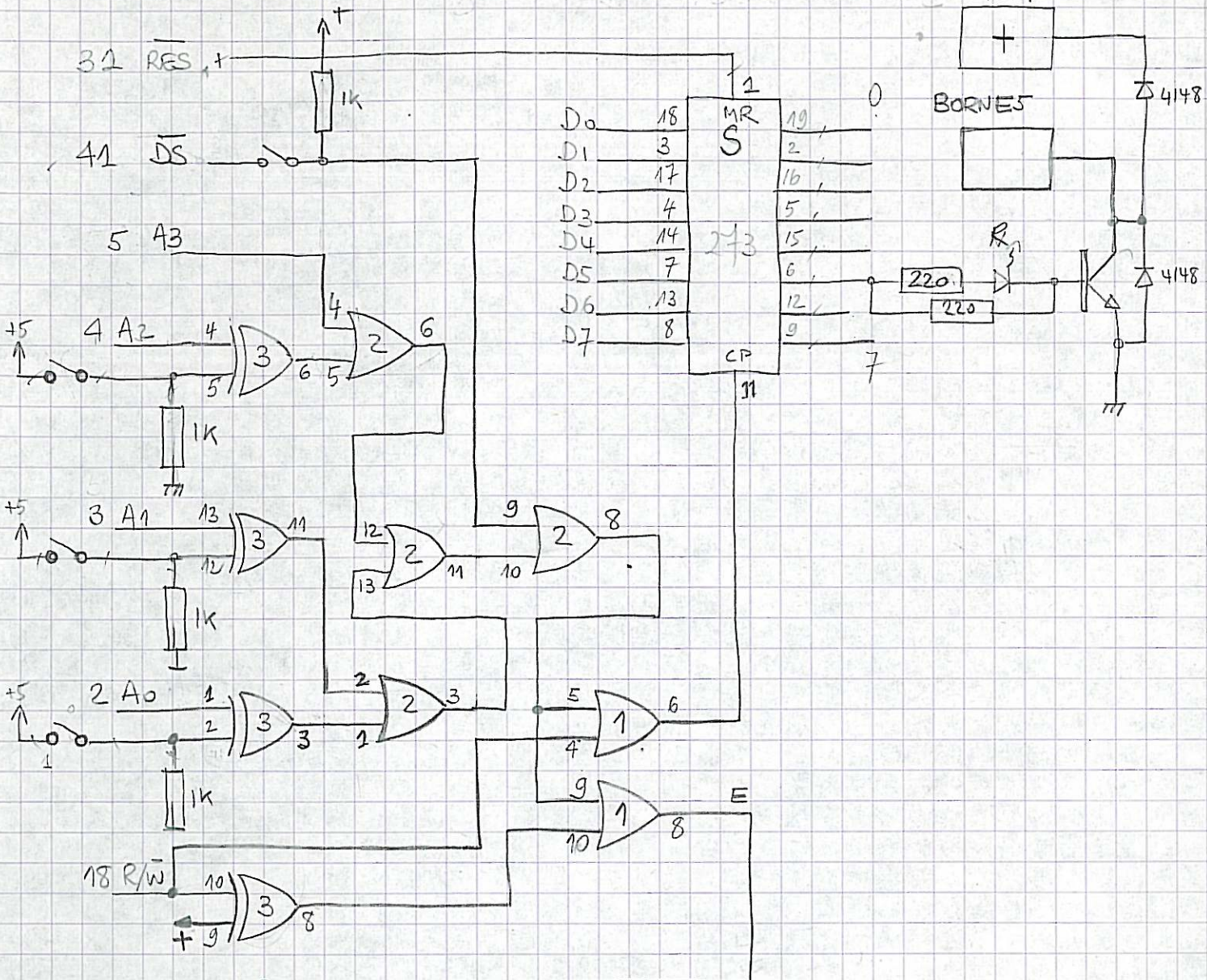
NUM. : 1470160

REP. : 1337





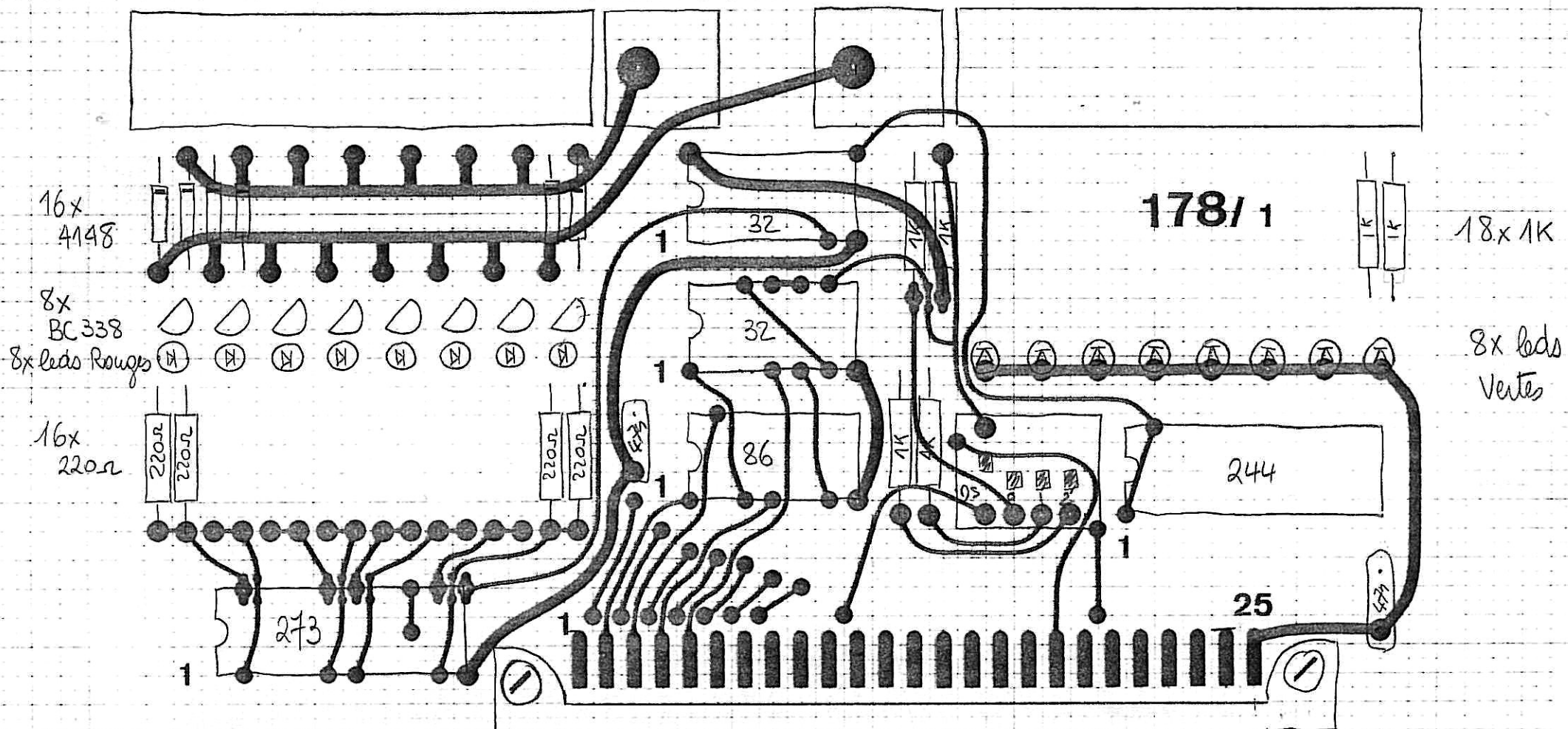
# 8 E/S APPLE



6 25/4/84 JA.



# Plan de Câblage



164/178/1

8 E/S APPLE

Cotic Components

25/5/84

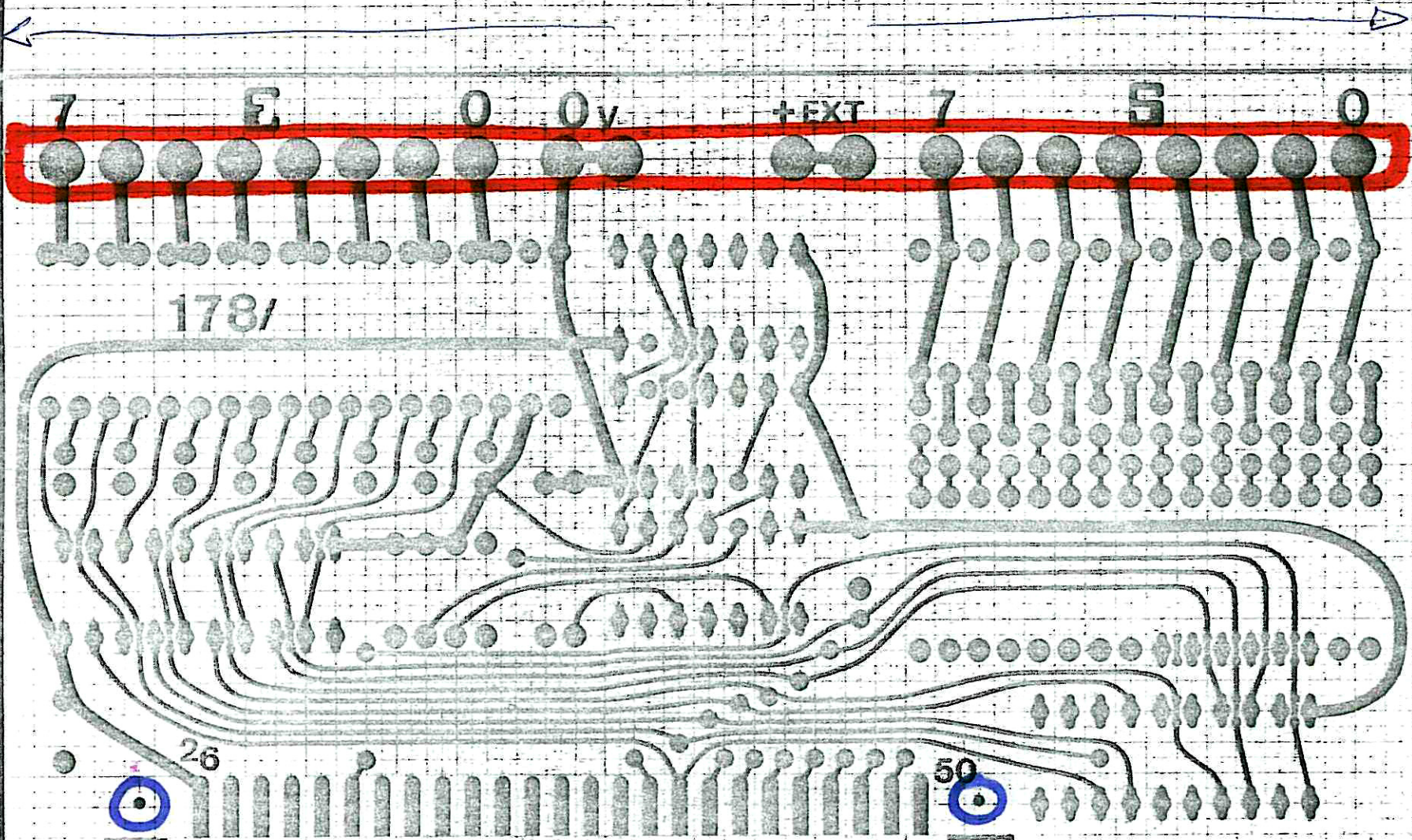
AMPHENOL 50 BR

HE 902 DF  
50BR

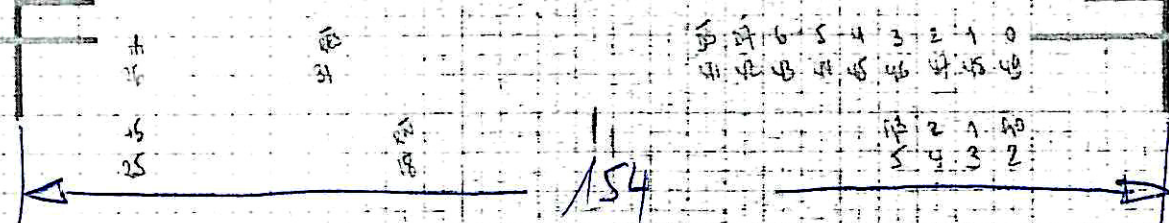


# Plan de perçage et Cotes

Double



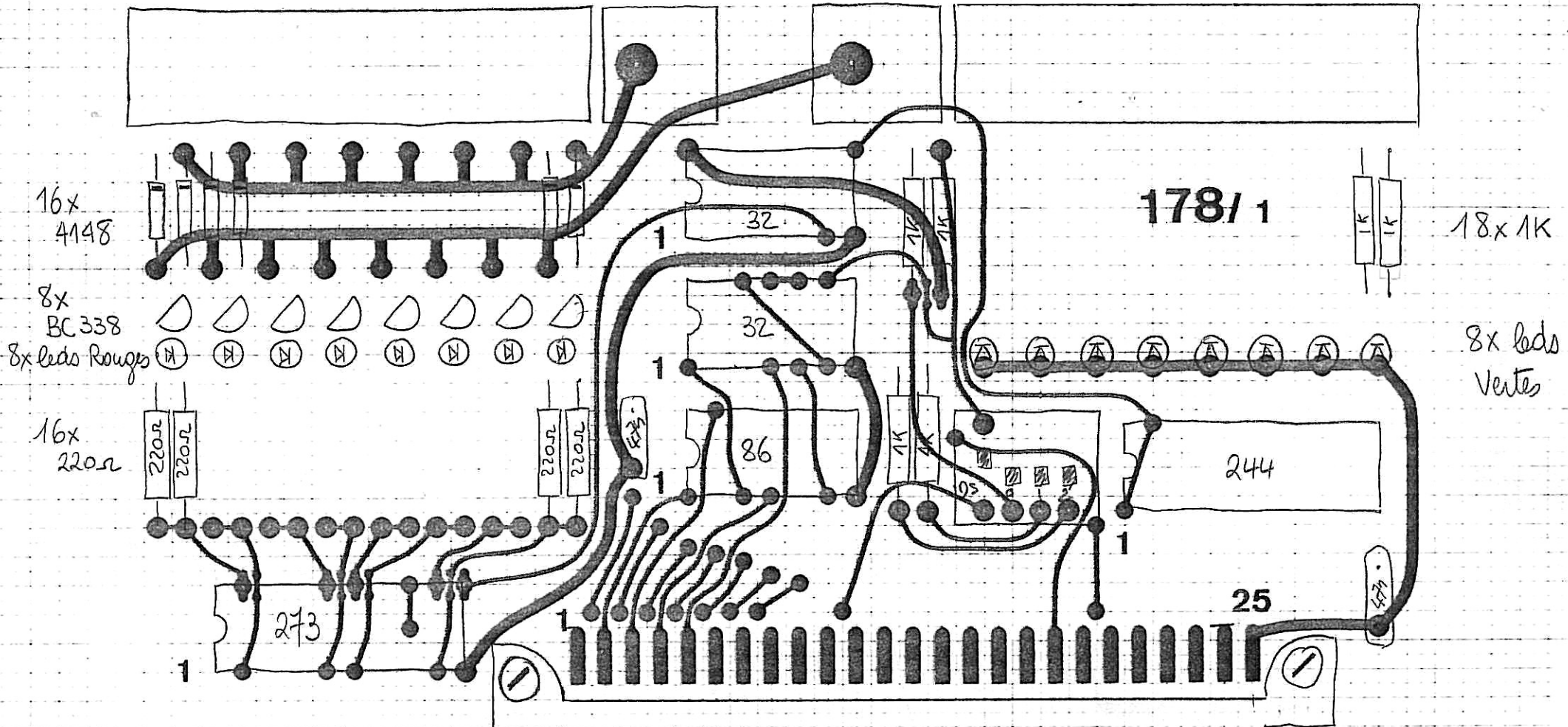
autres  
0,8  
-1  
-2,7



8 E/S APPLE 25/4/84 JA



# Plan de Câblage



AMPHENOL 50 BR

HE902 DF  
50BR

164/178/1

8 E/S APPLE

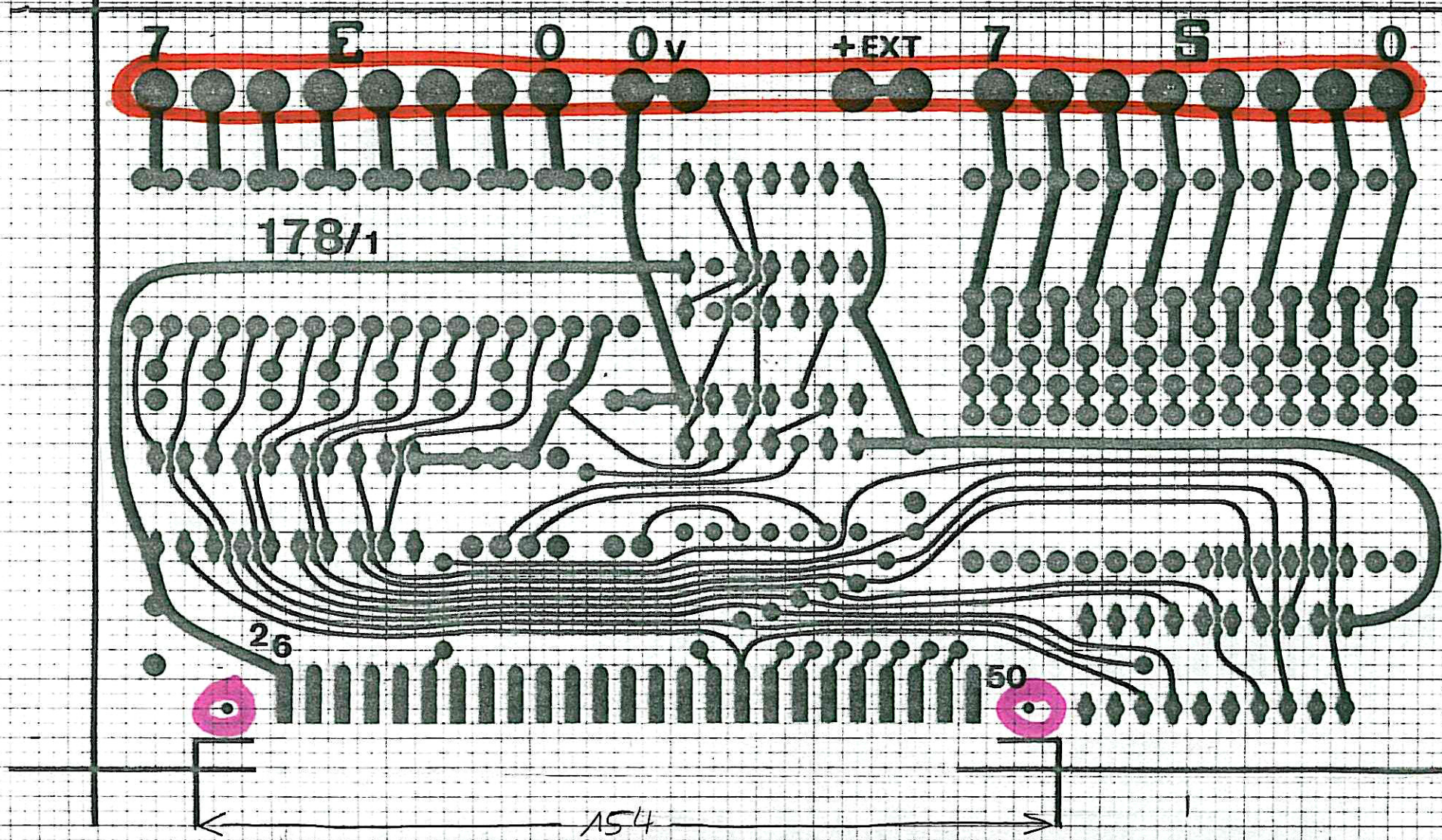
Côté Composants

25/5/84



# Plan de Perçage et cotes

Double



autres  
0,8

-1

-27

8 E/S APPLE  
164/1A78/1

Double Face Metal  
JA 25/5/84

Cote: Soudure







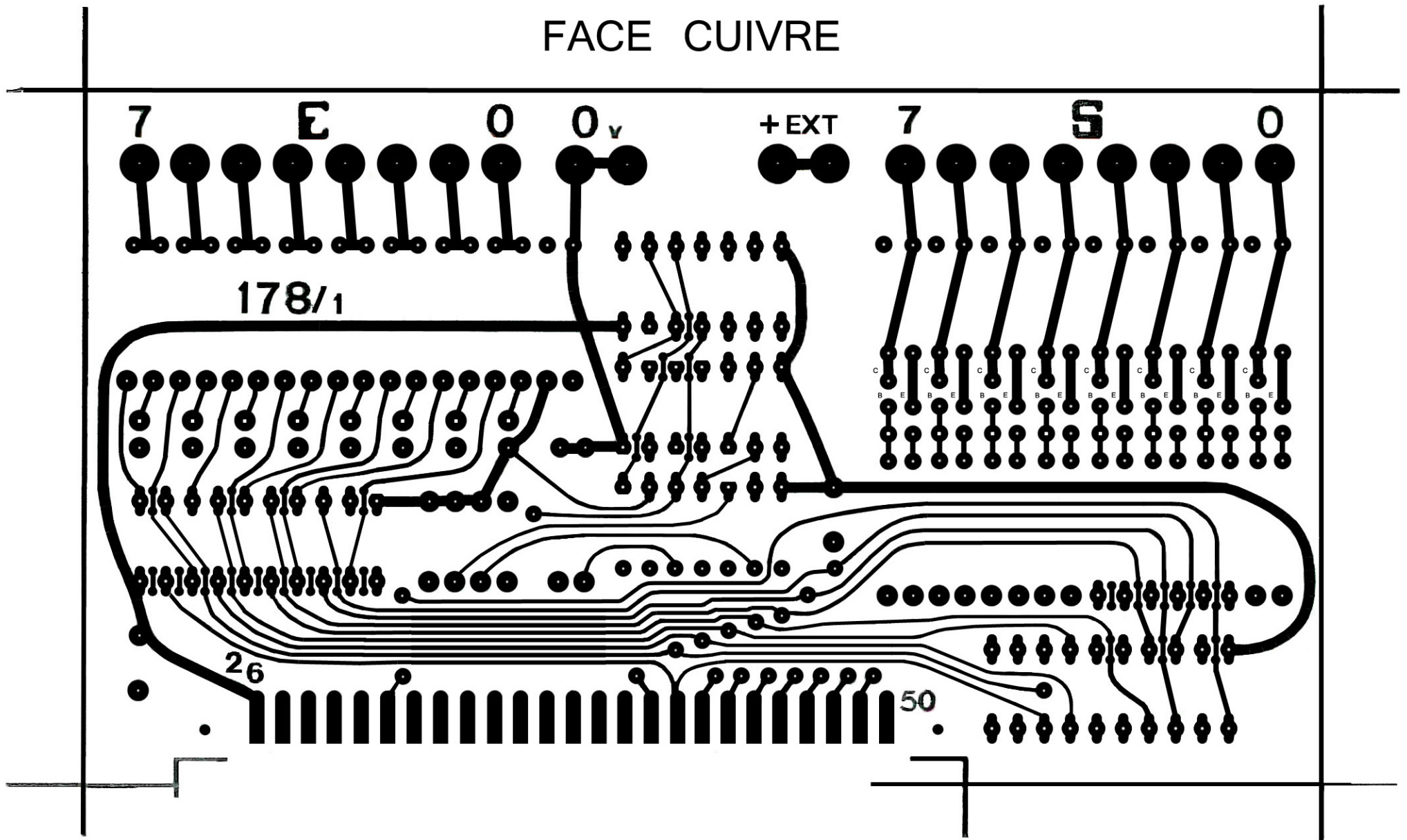
CAPTE 8 E/S APPLE 0.00

1337

CODE ARTICLE	DESIGNATION	PRIX ACHAT	CODE UNITE	QUANTITE	PRIX TOTAL
1120008	GFC 608U3 47NF-20 80	0.2400	1	2.000	0.4800
1151232	RES.COU.1-4W.220.HM	0.0330	1	8.000	0.2640
1151300	RES.COU.1.KHM.1-4W	0.0330	1	20.000	0.6600
1151332	RES.COU.2.2VHM.1-4W	0.0330	1	8.000	0.2640
1210023	DIODE 1N4148	0.0900	1	16.000	1.4400
1220076	TRANS.BC 332-BC337	0.3800	1	8.000	3.0400
1240011	LED ROUGE 3MM CCY65N	0.6600	1	8.000	5.2800
1240012	LED VERTE 3MM CCY86N	0.3500	1	8.000	2.8000
1271012	74 LS 244	9.5000	1	1.000	9.5000
1271019	74 LS 86	3.6500	1	1.000	3.6500
1271027	74 LS 273	15.1700	1	1.000	15.1700
1271113	74 LS 32	4.6300	1	2.000	9.2600
1530040	DIP SWITCH 4		1	1.000	
1540156	BORNIER CI 6 PLOTS	3.6000	1	2.000	7.2000
1540157	BORNIER CI 2 PLOTS	1.02000	1	2.000	2.04000
1540163	FICHE HE9J2M 2X25ER		1	1.000	
1641170	TRJ8 E/S APPLE		1	1.000	
1650017	TIR MOUSSE 12X09X6	2.5200	1	1.000	2.5200
1670560	NOTICE 8 E/S APPLE	0.5000	1	1.000	0.5000
1681337	ETIQUETTE	0.1560	1	1.000	0.1560
1710098	VIS MX TCB 2,5X6 7N	0.0300	1	2.000	0.0600
1720017	ECROU H 2,5 CADMIF	0.00500	1	2.000	0.01000
2011337	CARTE 8 E/S APPLE		1	1.000	

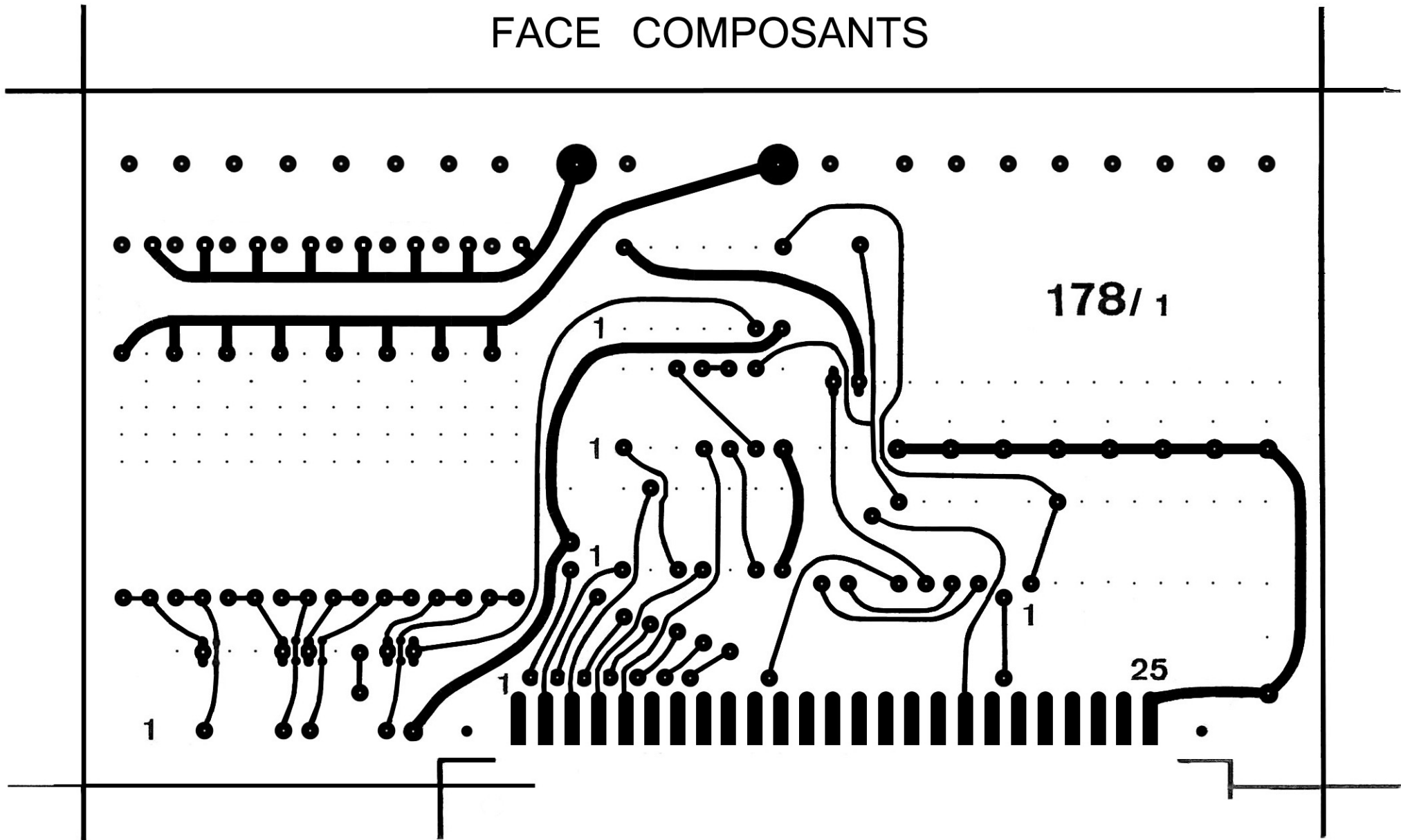


FACE CUIVRE





# FACE COMPOSANTS



8 Entrées / 8 Sorties pour Apple 2 par Cyber-Papy pour MAGECO



# FACE COMPOSANTS

## FACE CUIVRE

